



High Pressure Peristaltic Pumpout Systems

286EP-2Hp

PERFORMANCE FEATURES

- Up to 40 GPM Flow Rate
- Up to 65' discharge
- 27' Suction lift (27in hg)
- Handles solids over 9/16" dia.

CONSTRUCTION

- 3 Hp Motor 120/240V, Single Phase
- Epoxy painted cast metal housing
- Easy Change Internal Hose

OPTIONS

- Optional Radio Control 161-G-291
- 25' Pumpout hose assembly 261-25-150
- Optional leak detector 161-A-2324-LD
- Low Voltage Control Panel with Timer 161-A-2324 or 160-K-0006B (mounted)

GENERAL DESCRIPTION

The Edson **286EP-2hp** Peristaltic pump is designed to conquer the high head conditions of many applications that once would require a separate lift station. The **286EP-2hp** has capacity up to 38 gpm. It is designed to discharge up 67' vertically and self prime to 27' eliminating the need for lift or transfer pumps. Peristaltic pumps have a proven history of moving liquids, slurries, and waste efficiently and dependably for decades. The Edson 286EP-Series also includes a unique hose chamber that allows the internal hose to be changed without disassembling the face of the pump. This design saves up to 70% of the time required by most peristaltic systems. These are the most "Marina Friendly" high pressure pumps available.



286EP-2hp

(Shown with optional control panel 161-K-0006b)

Pump Performance:

- Max Volume 38GPM
- Dry Suction Lift 27' (27"hg)
- Discharge Head 65' (30psig)

Pump Construction:

- Cast Aluminum Pump Body
- Corrosion Resistant Epoxy Paint
- Stainless Steel Hardware
- Nitrile Internal Hose

Options:

- Pumpout Hose Assembly
 - Any Length
 - 90° Ball Valve
 - Clear Sight Glass Check Valve
 - Complete Set of Deck Adapters
- Radio Remote Control Part # 161-G-291
- Internal Leak Detector Part # 161-A-2324-LD
- 2hp, 3 hp, Motor (1ph. 3ph)

ORDERING INFORMATION

DESCRIPTION <i>See Price List For Other Models</i>	Capacity	ORDER NO.
Peristaltic Pump 2hp	38gpm	286EP-2hp



OPTIONS

Stainless Steel Cover Order No. 161-B-1366

Available in 304 or 316 stainless steel this modular cover comes complete with hour meter and start/stop controls. It measures 26"(66cm) X 26"(66cm) X 35"(96.5cm). Shown here with optional hose rack and fitting rack.



Heavy Duty Fiberglass Cover Order No. 161-B-808

White Gelcoat
28"(71.1cm) X 26"(66cm) X 38"(96.5cm)



Hose Stands Order Nos. 260

White Powder Coated Aluminum or Stainless, for pump out stations setup remote from the pump. They can be equipped with start/stop buttons or token operated starter. All versions come with Operation Instruction Sign and (4) 1/2" X 7" Aluminum Hex Head Mounting Bolts.



Recessed Hydrant Containers Order Nos. 265

Used to hide pump out hydrants out of the way, below the dock. Available in aluminum or heavy duty plastic. Both come with a flush aluminum cover.



Stainless Deck Fitting Rack Order No. 160-B-1363

Stainless steel wire form designed to organize loose deck adapters. The rack holds up to four fittings most often used in performing pump outs. No need to keep a bucket or box for your adapters. The rack mounts vertically with predrilled feet that makes it simple to mount on a pole, wall, hose stand or the pump cover.



Hose Rack Order No. 160-A-2876

Mounts to any vertical surface including enclosures. Holds up to 75 ft of 1 1/2" hose.



Pump Out Hydrants Order Nos. 270

Used for connecting a pump out hose to a central suction line remote from the pumping unit.



Optional Length Hose Assemblies Up To 100 ft In Length

Edson can provide any continuous length pump out hose from 5 ft to 100ft. What ever is required for the installation



OTHER PUMP OPTIONS

Peristaltic Pump Units - Diaphragm Pump Units

Need a pump with greater discharge capability or just more power consider the Edson peristaltic pump units. Available from 3/4Hp to 5Hp.



Double Diaphragm
Order No. 2500



3/4 HP Peristaltic
Order No. 286EP-75



3/4 HP Diaphragm
Order No. 120ELB-40-200



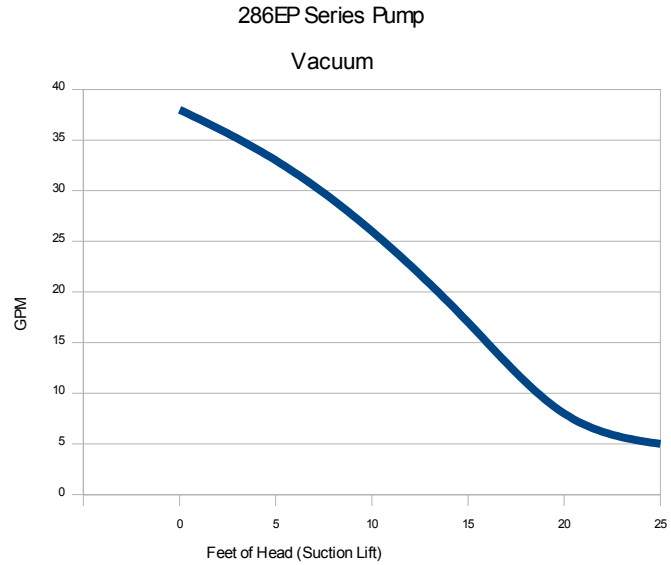
3hp & 5 HP Peristaltic
Order Nos. 286EP-3HP & 286EP-35



Peristaltic Pump Curve 286EP Series

Head (Ft)	GPM
0	38
5	33
10	26
15	17
20	8
25	5

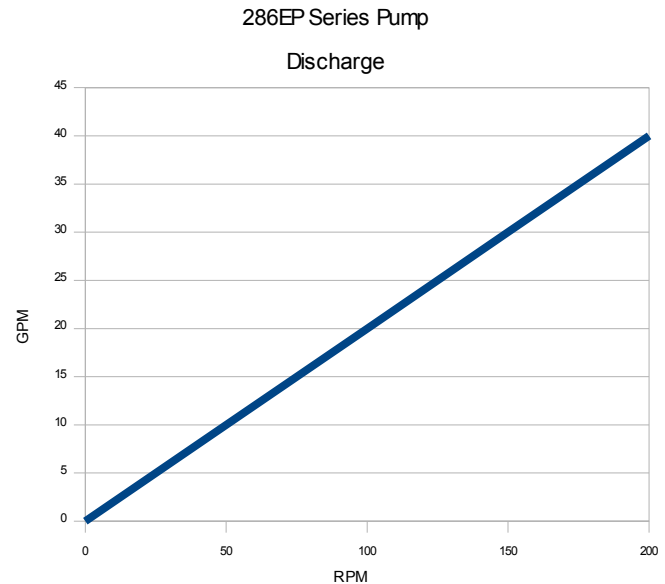
Illustration 1: Vacuum GPM



Note: The 286EP series pump is a positive displacement pump. The volume of discharge is controlled by rotor speed. The curve reflects a straight line up to pump failure @30psi.

RPM	GPM
0	0
50	10
100	20
150	30
200	40

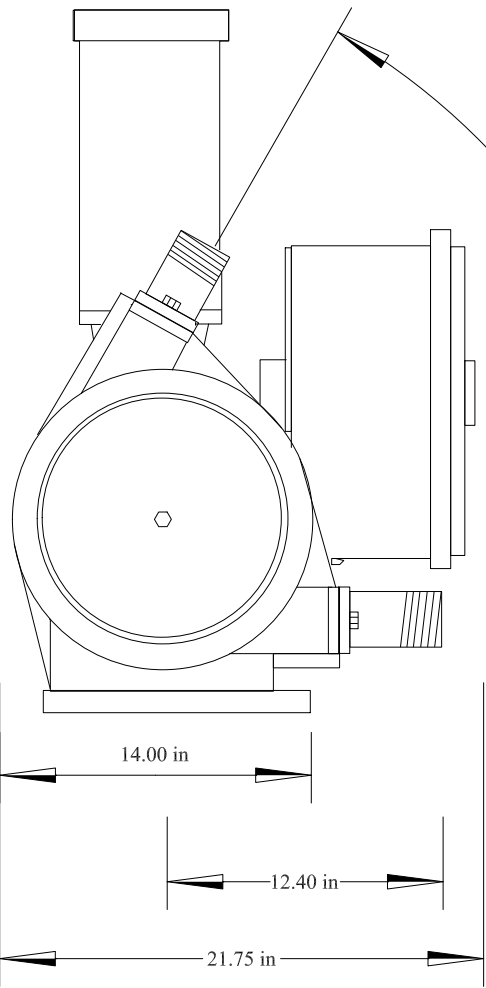
Illustration 2: Discharge GPM



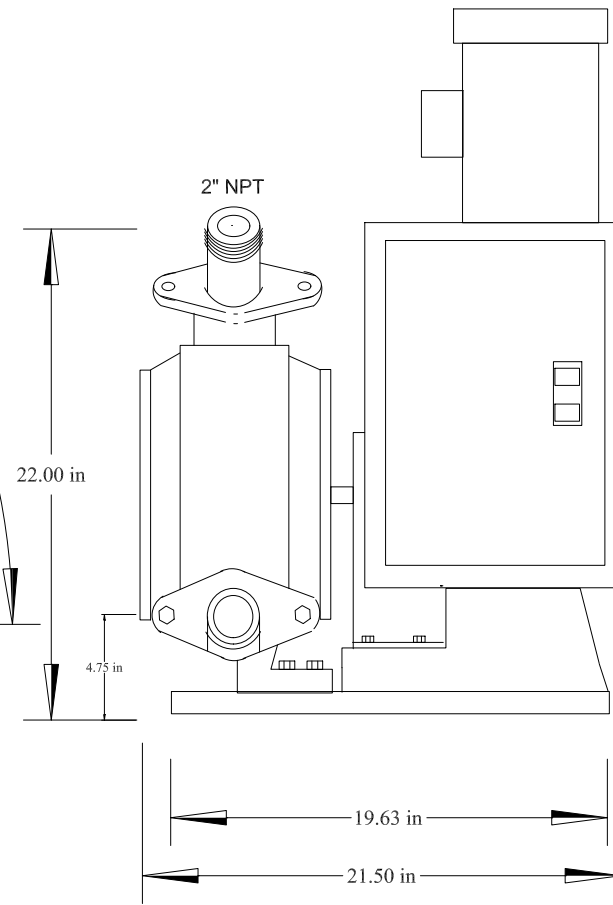
Edson 286EP-Pump Peristaltic Pump w/Control Panel

Baldor Motor

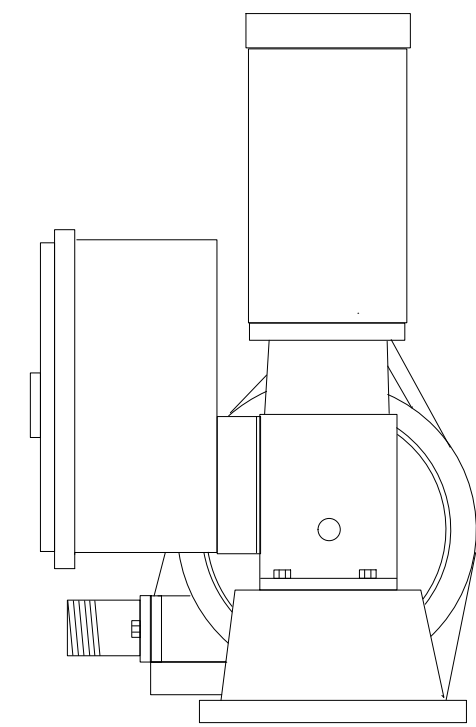
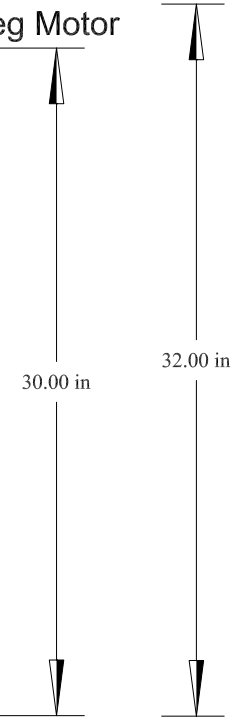
Weg Motor



60.00°

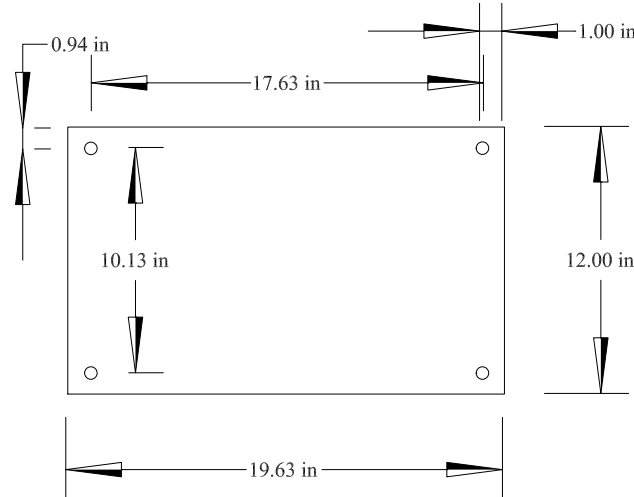


2" NPT



2" NPT

Base Bolt Hole Pattern



DAS061909